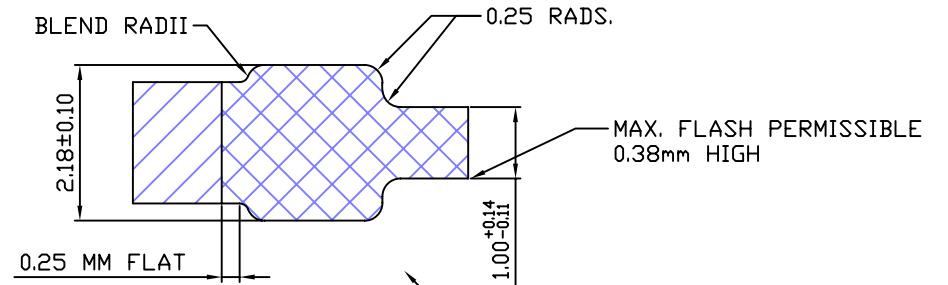
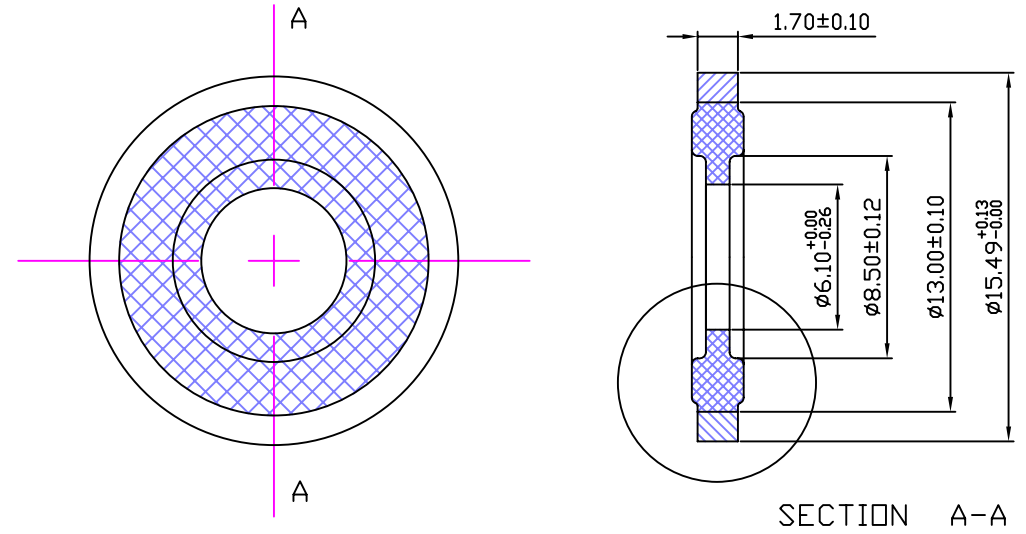


NOTE : THIS IS A CRITICAL PART AND MUST BE 100% INSPECTED

tolerance ISO-3302-M2, unless otherwise specified 未標注公差處, 公差依ISO-3302-M2公差 未標注尺寸處, 僅供參考



NOTE : THIS IS A CRITICAL PART AND MUST BE 100% INSPECTED

tolerance ISO-3302-M2, unless otherwise specified 未標注公差處, 公差依ISO-3302-M2公差 未標注尺寸處, 僅供參考

PROGUM ELASTOMER TECHNOLOGY CO LTD

PROGUM ELASTOMER TECHNOLOGY CO LTD

DR.	SANDRA	DWG NO.	600-001-SC8051-06
CK.	SANDRA	REF.	CR097-SC8051
AP.	JAMIE	ELASTOMER	CR80+/-5 SHORE-A BLACK
DATE	12/11/2007	CASE	AISI1008-1010+CR3
SCALE	3:1	SPRING	
PAGE	1	TITLE	8.50X15.49X1.70 BDDOK

DR.	SANDRA	DWG NO.	600-001-SN8551-06
CK.	SANDRA	REF.	N097-SN8551
AP.	JAMIE	ELASTOMER	NBR85+/-5 SHORE-A BLACK
DATE	12/11/2007	CASE	AISI1008-1010+CR3
SCALE	3:1	SPRING	
PAGE	1	TITLE	8.50X15.49X1.70 BDDOK